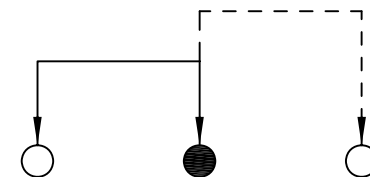
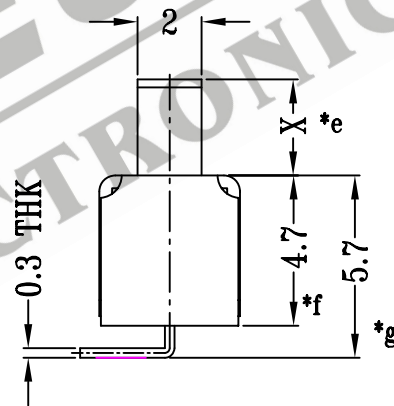
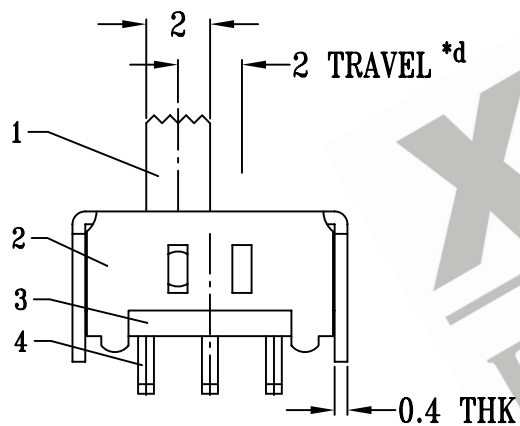
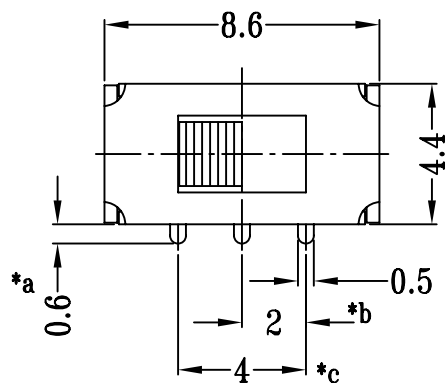
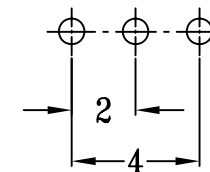




CAD FILE :



SCHEMATIC (NON-SHORTING)



P.C.B LAYOUT

注:带"*"表示关键尺寸(7个)

NO.	PARTS	MATERIALS	Q'TY	FINISH	TOLERANCE UNLESS SPECIFIED	SHENZHEN XIEJIA ELECTRONICS CO.,LTD.				
8					WITHIN: 1.5±0.1mm OVER : 1.5±0.2mm	ISSUE	DATE	DESCRIPTIONS OF REVISION		APPD
7						TITLE: VERTICAL SLIDE SWITCH		UNIT : mm	DRWG NO :XJ-DR-SS12D23-00	
6	SPRING PLATE	STAINLESS STEEL	1	NATURAL	MODEL: SS-12D23	SCALE : 4:1		DWN.	ZHOUYU	2001-9-10
5	CONTACT CLIP	PBS	1	Ag CLAD		CHK'D	FANGYING	2001-9-10		
4	TERMINAL	BRASS STRIP	3	Ag PLATED OVER Ni PLATED	ALL MATERIALS MUST BE COMPLIANT TO ROHS		APPD.	KANGXINAN	2001-9-10	
3	BASE	PHENOLIC RESIN	1	NATURAL						
2	FRAME	STEEL STRIP	1	Ni PLATED						
1	KNOB	POM	1	BLACK						